

DAM6056D

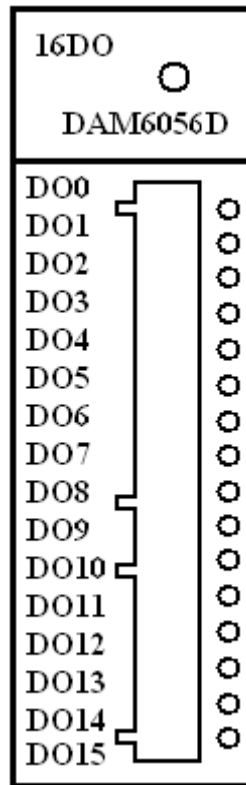
User's Manual



Beijing ART Technology Development Co., Ltd.

DAM6056D

◆ Terminal Distribution

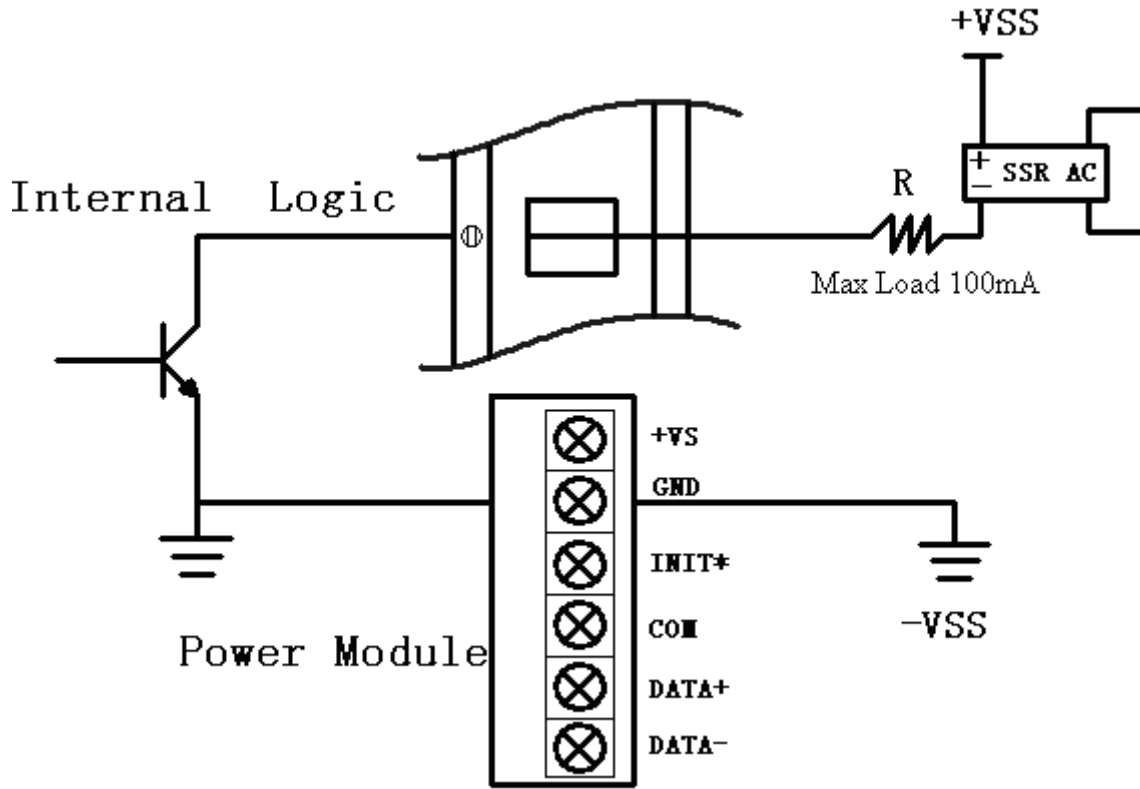


◆ Feature

16 Channels Digital Output Module (with LED)

- Digital Output Channels: 16
- Digital Output: Open-collector 30V, 100mA
- Loss Power Consumption 450mW
- Solid-state relays can be controlled
- LED Indicator:
 - ON: output logic level 1
 - OFF: output logic level 0
- Power Consumption: 0.3W

◆ Wiring



External Circuit

(Connect DO to 0~30V power positive through resistor R, connect power negative to the board's GND pin)